

Technical Information

Liquiphant FTL31 IO-Link

Point level switch for liquids



Application

The Liquiphant FTL31 is a point level switch for liquids and is used in tanks, vessels and pipes.

It is used for overflow protection or pump protection in cleaning and filter systems as well as in cooling and lubrication vessels, for instance.

Ideal for applications in which float switches or conductive, capacitance and optical sensors have been used up to now. The Liquiphant FTL31 also works in areas where these measuring principles are not suitable due to conductivity, buildup, turbulence, flow conditions or air bubbles.

The Liquiphant FTL31 can be used for process temperatures up to:

- 100 °C (212 °F)
- 150 °C (302 °F)

Not suitable for hazardous areas.

The use of the Liquiphant FTL33 is recommended for hygiene areas.

Advantages

- Operational safety, reliability and universal application thanks to the tuning fork measuring principle
- Robust stainless steel housing (316L), optionally available with M12x1 plug with IP69 protection
- External function test with test magnet
- Onsite function check possible thanks to LED indication
- Compact design for easy installation even in confined conditions or hard-to-access areas







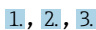

Table of contents

Important document information	3	Process pressure range	14
Symbols used	3	Density	14
Function and system design	4	State of aggregation	14
Measuring principle	4	Viscosity	14
Measuring system	4	Solids contents	14
Input	5	Lateral loading capacity	14
Measured variable	5	Mechanical construction	15
Measuring range	5	Design	15
Output	5	Plug	16
Switch output	5	Tuning fork	16
Operating modes	5	Sensor type	17
Power supply	5	Weight	20
Supply voltage	5	Materials	20
Power consumption	5	Surface roughness	21
Current consumption	5	Operability	22
Electrical connection	5	LED indicator	22
Device plugs	7	Function test with test magnet	22
Length of connecting cable	7	Certificates and approvals	23
Overvoltage protection	7	CE mark	23
Performance characteristics	8	EAC conformity	23
Reference operating conditions	8	RCM-Tick marking	23
Switch point	8	Approval	23
Hysteresis	8	CRN approval	23
Non-repeatability	8	Inspection certificates	23
Influence of ambient temperature	8	Manufacturer declarations	23
Influence of medium temperature	8	Pressure Equipment Directive	23
Influence of medium pressure	8	Other standards and guidelines	23
Switching delay	8	Ordering information	24
Switch-on delay	8	Ordering information	24
Measuring frequency	8	Services (optional)	24
Measured error	8	Accessories	24
Installation	9	Weld-in adapter	24
Orientation	9	Plug-in jack, cable	24
Installation instructions	9	Additional accessories	25
Length of connecting cable	11	Supplementary documentation	26
Environment	12	Operating Instructions Liquiphant FTL31	26
Ambient temperature range	12	Operating Instructions Liquiphant FTL31 IO-Link	26
Storage temperature	12	Additional documentation	26
Climate class	12	Certificates	26
Altitude	12		
Degree of protection	13		
Shock resistance	13		
Vibration resistance	13		
Electromagnetic compatibility	13		
Reverse polarity protection	13		
Short-circuit protection	13		
Process	14		
Process temperature range	14		

Important document information

Symbols used

Symbols for certain types of information and graphics

-  **Permitted**
Procedures, processes or actions that are permitted
-  **Forbidden**
Procedures, processes or actions that are forbidden
-  **Tip**
Indicates additional information
-  Reference to documentation
-  Reference to graphic
-  Notice or individual step to be observed
-  **1, 2, 3**
Series of steps
-  Result of a step
- 1, 2, 3, ...**
Item numbers
- A, B, C, ...**
Views

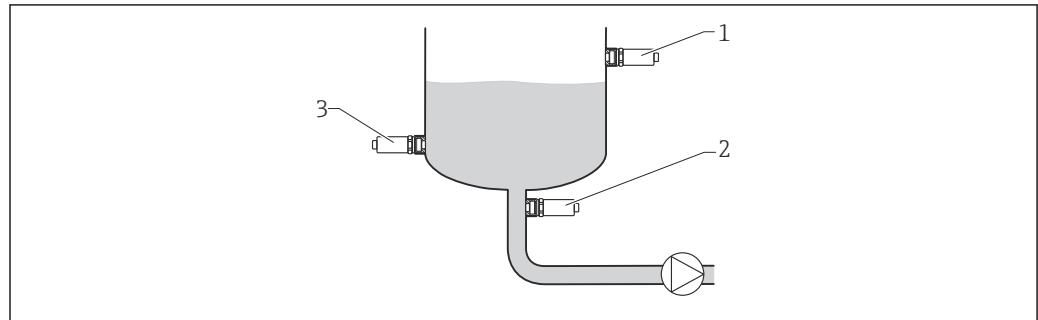
Function and system design

Measuring principle

A piezoelectric drive causes the tuning fork of the device to vibrate at its resonance frequency. When the tuning fork is immersed in a liquid, its intrinsic frequency changes due to the change in density of the surrounding medium. The electronics system in the point level switch monitors the resonance frequency and indicates whether the tuning fork is vibrating in air or is covered by liquid.

Measuring system

The measuring system consists of a point level switch, e.g. for connection to programmable logic controllers (PLC).



1 Installation examples

- 1 Overfill protection or upper level detection (maximum safety)
- 2 Dry running protection for pump (minimum safety)
- 3 Lower level detection (minimum safety)

Input

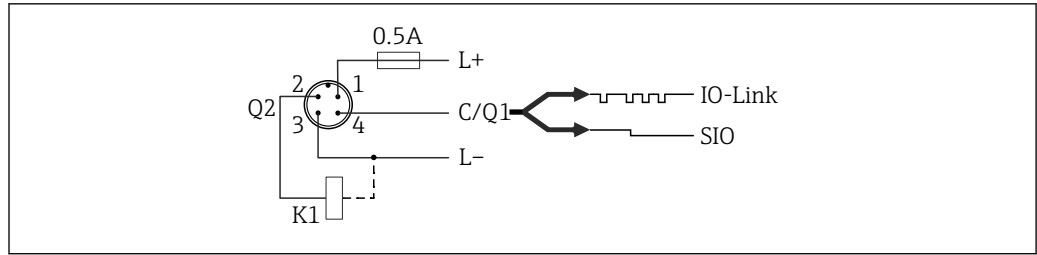
Measured variable	Density
Measuring range	<ul style="list-style-type: none"> ▪ $> 0.7 \text{ g/cm}^3$ (optionally available: $> 0.5 \text{ g/cm}^3$) ▪ Can be configured by the customer onsite via IO-Link

Output

Switch output	<p>Switching behavior: On/Off</p> <p>Function</p> <ul style="list-style-type: none"> ▪ 3-wire DC-PNP: Positive voltage signal at the switch output of the electronics (PNP) Switching capacity: 200 mA ▪ IO-Link (4-wire): Switching capacity: <ul style="list-style-type: none"> ▪ 105 mA (for mode with 2x load) ▪ 200 mA (for mode with 1x IO-Link and 1x load)
Operating modes	<p>The device has two operating modes: maximum safety (MAX) and minimum safety (MIN).</p> <p>By choosing the corresponding operating mode, the user ensures that the device also switches in a safety-oriented manner even in an alarm condition, e.g. if the power supply line is disconnected.</p> <ul style="list-style-type: none"> ▪ Maximum safety (MAX) The device keeps the electronic switch closed as long as the liquid level is below the fork. Sample application: overflow protection ▪ Minimum safety (MIN) The device keeps the electronic switch closed as long as the fork is immersed in liquid. Sample application: Dry running protection for pumps <p>The electronic switch opens if the limit is reached, if a fault occurs or the power fails (quiescent current principle).</p> <p>Window functions</p>

Power supply

Supply voltage	<p>SIO mode 10 to 30 VDC</p> <p>IO-Link mode 18 to 30 VDC</p> <p>IO-Link communication is guaranteed only if the supply voltage is at least 18 V.</p>
Power consumption	< 1 W (at max. load: 200 mA)
Current consumption	< 15 mA
Electrical connection	<p>Connecting the device</p> <p>The following electronic version and connection are available for the device:</p> <ul style="list-style-type: none"> - Electronic version 4-wire DC-PNP, IO-Link with connection via M12 plug <p>A fine-wire fuse is necessary for operation: 500 mA slow-blow.</p>



A0037916

- Pin 1 Supply voltage +
- Pin 2 1st switch output
- Pin 3 Supply voltage -
- Pin 4 IO-Link communication or 2nd switch output (SIO mode)

SIO mode (without IO-Link communication)

Minimum safety		
Terminal assignment	MIN output	LED yellow (ye) 1
Symbols Description Yellow LED (ye) lit Yellow LED (ye) not lit External load		

A0037918

Maximum safety		
Terminal assignment	MAX output	LED yellow (ye) 2
Symbols Description Yellow LED (ye) lit Yellow LED (ye) not lit External load		

A0037919

Function monitoring with M12 plug

When both outputs are connected, the MIN and MAX outputs assume opposite states (XOR) when the device is operating fault-free. In the event of an alarm condition or a cable break, both outputs

are de-energized. This means that function monitoring is possible in addition to level monitoring. The behavior of the switch outputs can be configured via IO-Link.

Connection for function monitoring using XOR operation						
Terminal assignment	MAX output	LED yellow (ye 2)	MIN output	LED yellow (ye 1)	LED red (rd)	
	+ 2		+ 4			
	+ 2		+ 4			
	+ 2		+ 4			
Symbols Description LED lit LED not lit Fault or warning External load						

Post-connection check

- Are the device and cable undamaged (visual inspection)?
- Does the supply voltage match the specifications on the nameplate?
- If supply voltage is present, is the green LED lit?
- With IO-Link communication: is the green LED flashing?

Device plugs	M12 plug: IEC 60947-5-2
Length of connecting cable	<ul style="list-style-type: none"> ■ Max. 25 Ω/wire, total capacitance < 100 nF ■ IO-Link communication: < 10 nF
Overvoltage protection	Overvoltage category II
	<p>Reverse polarity protection</p> <p>Integrated; no damage in the event of reverse polarity or short-circuit.</p> <p>Short-circuit protection</p> <p>Overload protection/short-circuit protection at $I > 200 \text{ mA}$; the sensor is not destroyed.</p> <p>If both switch outputs are active: 105 mA per switch output.</p> <p>Intelligent monitoring:</p> <p>Testing for overload at intervals of approx. 1.5 s; normal operation resumes once the overload/short-circuit has been rectified</p>

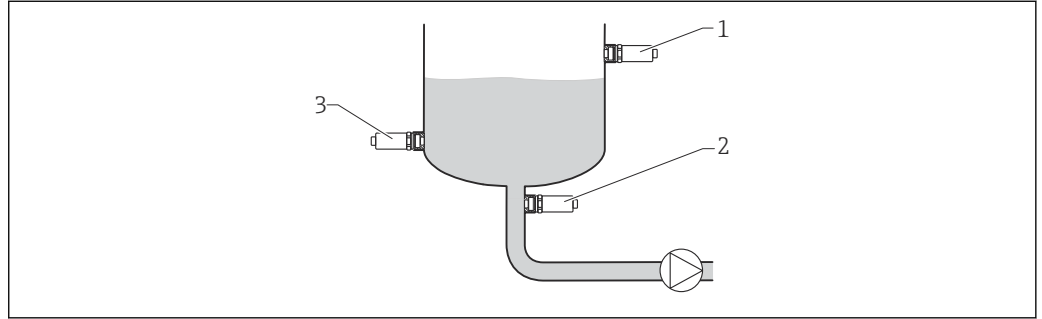
Performance characteristics

Reference operating conditions	Ambient temperature:	+25 °C (+77 °F)
	Process pressure:	1 bar (14.5 psi)
	Fluid:	Water (density: approx. 1 g/cm ³ , viscosity 1 mm ² /s)
	Medium temperature:	25 °C (77 °F)
	Density setting:	> 0.7 g/cm ³
	Switching time delay:	Standard (0.5 s, 1 s)
Switch point	13 mm (0.51 in)±1 mm	
Hysteresis	max. 3 mm (0.12 in)	
Non-repeatability	±1 mm (0.04 in) in accordance with DIN 61298-2	
Influence of ambient temperature	Negligible	
Influence of medium temperature	-25 µm (984 µin)/°C	
Influence of medium pressure	-20 µm (787 µin)/bar	
Switching delay	<ul style="list-style-type: none"> ■ 0.5 s when tuning fork is covered ■ 1.0 s when tuning fork is uncovered ■ Optionally available: 0.2 s; 1.5 s or 5 s (when the tuning fork is covered and uncovered) ■ Can be configured via IO-Link from 0.3 to 60 s 	
Switch-on delay	max. 3 s	
Measuring frequency	Approx. 1 100 Hz in air	
Measured error	In event of device change: ±2 mm (0.08 in) as per DIN 61298-2	

Installation

Orientation

The point level switch can be installed in any position in a vessel, pipe or tank. Foam formation does not affect the function.



A0036961

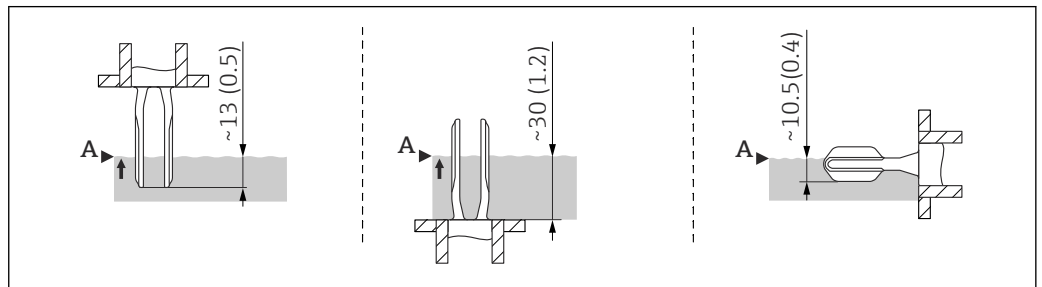
2 Installation examples

- 1 Overfill protection or upper level detection (maximum safety)
- 2 Dry running protection for pump (minimum safety)
- 3 Lower level detection (minimum safety)

Installation instructions

Switch point

The switch point (A) on the sensor depends on the orientation of the point level switch (water +25 °C (+77 °F), 1 bar (14.5 psi)).

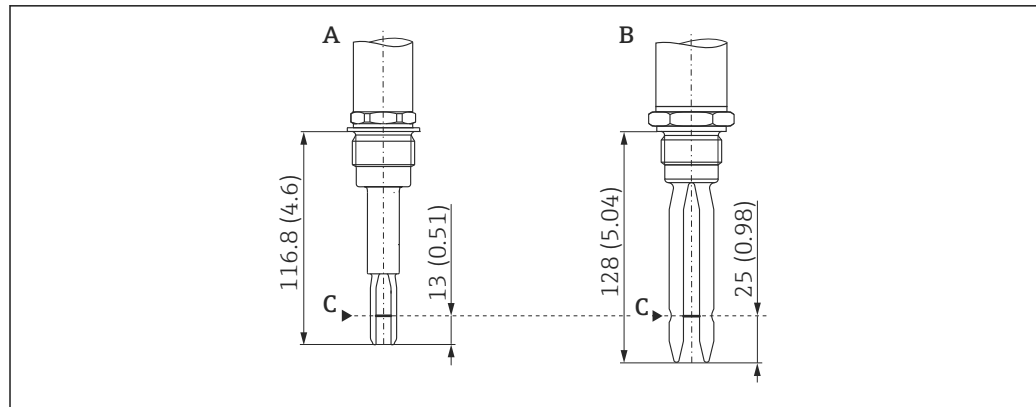


A0020734

3 Orientation: vertical from above, vertical from below, horizontal; dimensions in mm (in)

Short tube version

The use of the short tube ensures that the switch point is at the same level as in the previous Liquiphant FTL260 model when an identical thread is selected. In this way, the device can be replaced quickly and easily. (Applies for process connections G 1" weld-in adapter for flush mount installation, MNPT 1" and R 1")



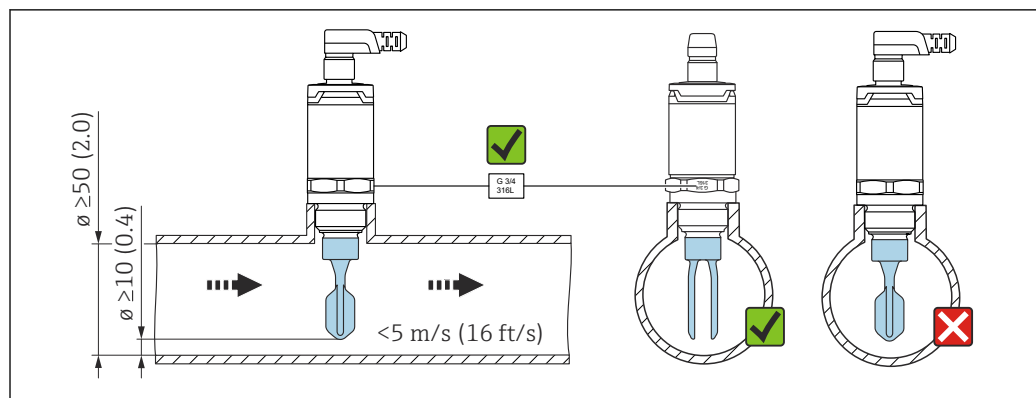
A0022122

Dimensions mm (in)

- A Liquiphant FTL31 with short tube
 B Liquiphant FTL260
 C Switch point

Installation in pipes

During installation, pay attention to the position of the fork in order to minimize turbulence in the pipe.



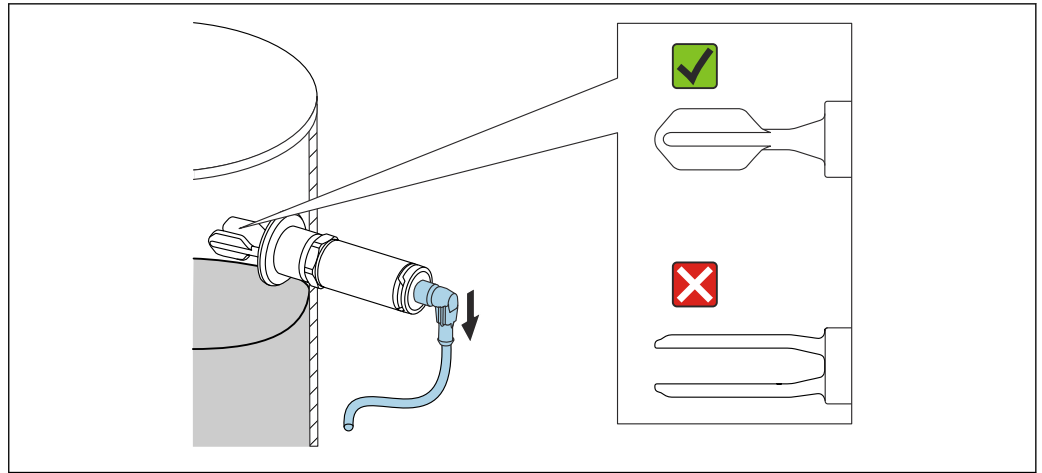
A0021357

Dimensions mm (in)

Installation in vessels

If installed horizontally, pay attention to the position of the tuning fork to ensure that the liquid can drip off.

The electrical connection, e.g. M12 plug, should be pointing down with the cable. This can prevent moisture from penetrating.

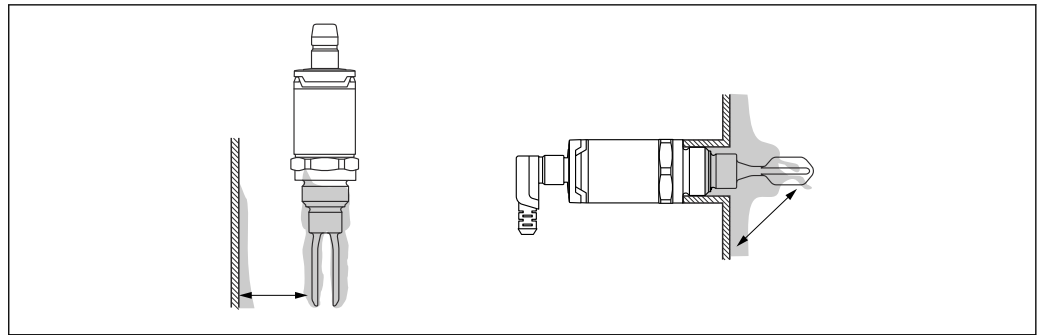


A0021034

4 Position of the fork in the case of horizontal installation in a vessel

Distance from wall

Ensure that there is sufficient distance between the expected buildup on the tank wall and the fork. Recommended distance from wall ≥ 10 mm (0.39 in).



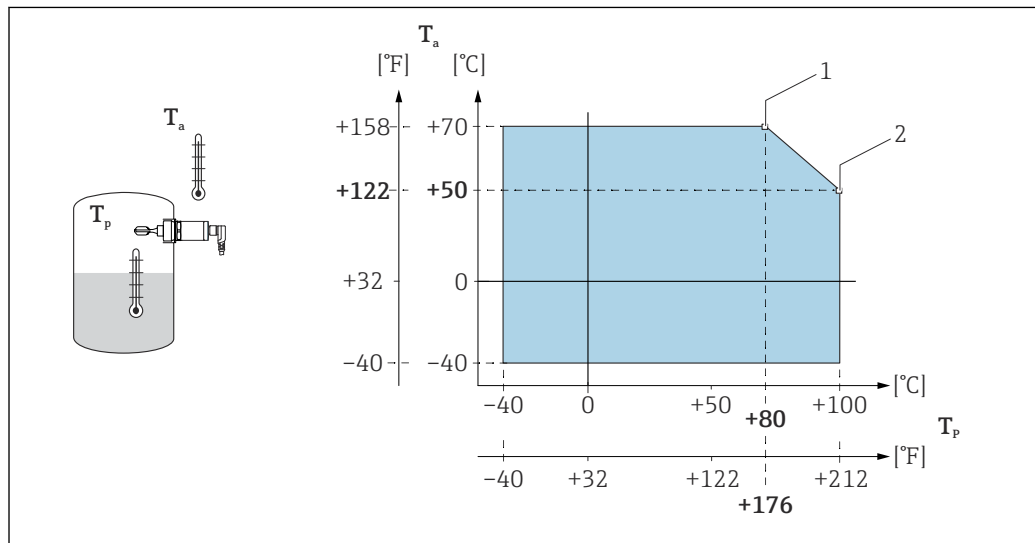
A0022272

Length of connecting cable

- For IO-Link up to 20 m (65.6 ft)
- Max. 25 Ω /wire, total capacitance < 100 nF

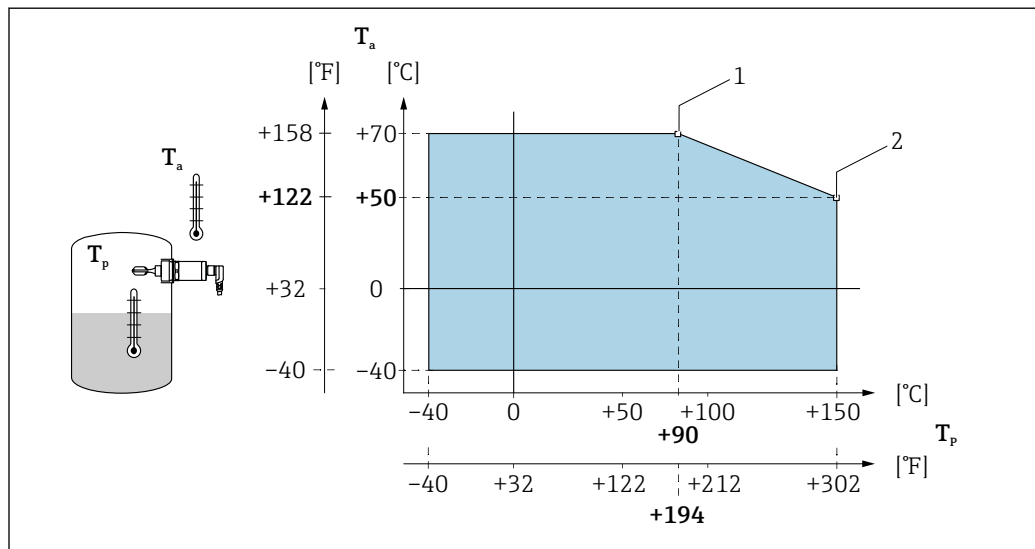
Environment

Ambient temperature range -40 to +70 °C (-40 to +158 °F)



5 Derating curve: 100 °C (212 °F)

- 1 I_{max} : 200 mA (DC-PNP)
- 2 I_{max} : 150 mA (DC-PNP)
- T_a Ambient temperature range
- T_p Process temperature



6 Derating curve: 150 °C (302 °F)

- 1 I_{max} : 200 mA (DC-PNP)
- 2 I_{max} : 150 mA (DC-PNP)
- T_a Ambient temperature range
- T_p Process temperature

Storage temperature -40 to +85 °C (-40 to +185 °F)

Climate class DIN EN 60068-2-38/IEC 68-2-38: Test Z/AD

Altitude Up to 2 000 m (6 600 ft) above sea level

Degree of protection	<ul style="list-style-type: none">▪ IP65/67 NEMA Type 4X Enclosure (M12 plug)▪ IP66/68/69 NEMA Type 4X/6P Enclosure (M12 plug for metal housing cover)
Shock resistance	a = 300 m/s ² = 30 g, 3 axes x 2 directions x 3 shocks x 18 ms, as per test Ea, prEN 60068-2-27:2007
Vibration resistance	a(RMS) = 50 m/s ² , ASD = 1.25 (m/s ²) ² /Hz, f = 5 to 2 000 Hz, t = 3 x 2 h, as per test Fh, EN 60068-2-64:2008
Electromagnetic compatibility	Electromagnetic compatibility in accordance with all relevant requirements of the EN 61326 series and NAMUR recommendation EMC (NE21). For details, refer to the EC Declaration of Conformity. The EC Declaration of Conformity is available in the Download Area of the Endress+Hauser website: www.endress.com → Downloads.
Reverse polarity protection	3-wire DC-PNP and IO-Link Integrated. In the event of reverse polarity, the device is deactivated automatically.
Short-circuit protection	3-wire DC-PNP and IO-Link Overload protection/short-circuit protection at I > 200 mA; the sensor is not destroyed. For IO-Link communication: 105 mA per output if both switch outputs are active. Intelligent monitoring: Testing for overload at intervals of approx. 1.5 s; normal operation resumes once the overload/short-circuit has been rectified.

Process



Note the pressure and temperature derating depending on the selected process connection.

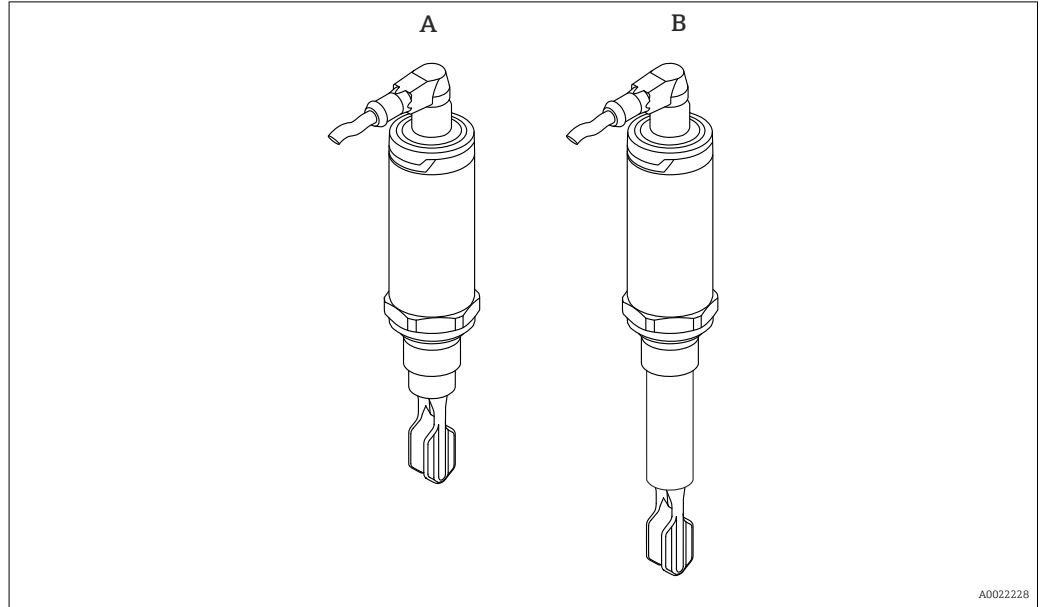
Process temperature range	-40 to +100 °C (-40 to +212 °F) -40 to +150 °C (-40 to +302 °F)
Process pressure range	Max. -1 to +40 bar (-14.5 to +580 psi)
Density	>0.7 g/cm ³ (optionally available: >0.5 g/cm ³), can be configured via IO-Link
State of aggregation	Liquid
Viscosity	1 to 10 000 mPa·s, dynamic viscosity
Solids contents	ø < 5 mm (0.2 in)
Lateral loading capacity	Lateral loading capacity of the tuning fork: maximum 200 N

Mechanical construction

Design

The point level switch is available in different versions and can be assembled in accordance with user specifications.

The versions can be selected via the product structure in the Product Configurator, see the "Ordering information" section. For examples, see below:



Versions	Examples	
	A	B
Electrical connection	M12 plug	M12 plug
Housing (sensor design) for process temperatures up to:	150 °C (302 °F)	150 °C (302 °F)
Sensor type	Compact version	Short tube version



For detailed information on the process connections, see the "Sensor type" section.

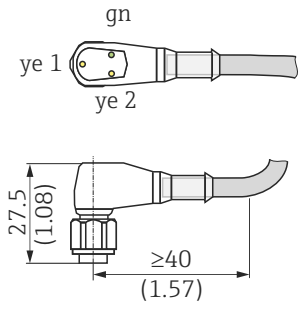


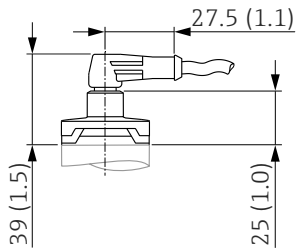
For information on the short tube version, see the "Installation instructions" section.

Plug

Dimensions

Dimensions mm (in)

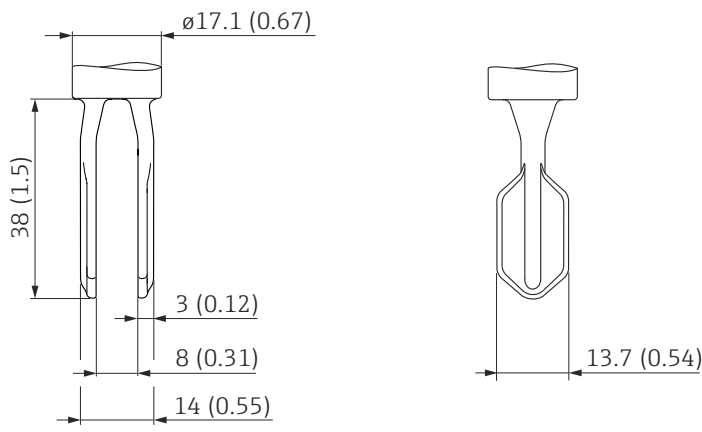
Electrical connection with housing cover	Designation
	<p>M12 plug IP69 with LED</p> <ul style="list-style-type: none"> ▪ Material of housing cover, metal: 316L (1.4404/1.4435) ▪ Degree of protection: IP66/68/69 NEMA Type 4X/6P Enclosure

Electrical connection with housing cover	Designation
	<p>M12 plug</p> <ul style="list-style-type: none"> ▪ Material of housing cover, plastic: PPSU ▪ Degree of protection: IP65/67 NEMA Type 4X Enclosure

Tuning fork

Dimensions

Dimensions mm (in)


--

Sensor type

Dimensions

Dimensions mm (in)

The total dimensions of the device can vary depending on the plug selected.

Information on the following tables

- Meaning of symbols:
 - * Dimension for process temperature max. 100 °C (212 °F)
 - ** Dimension for process temperature max. 150 °C (302 °F)
- If several versions have the same dimensions, one example of the compact version and one example of the short tube version is given.
- The versions in the second column refer to the process connections in the product structure.



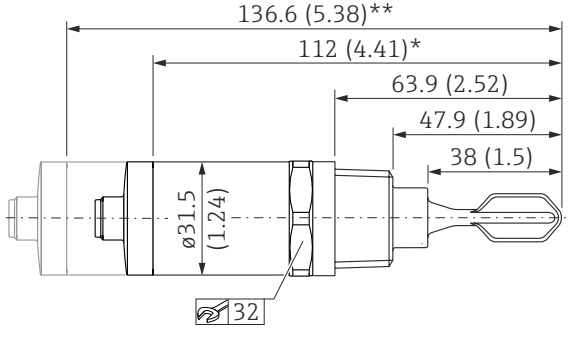
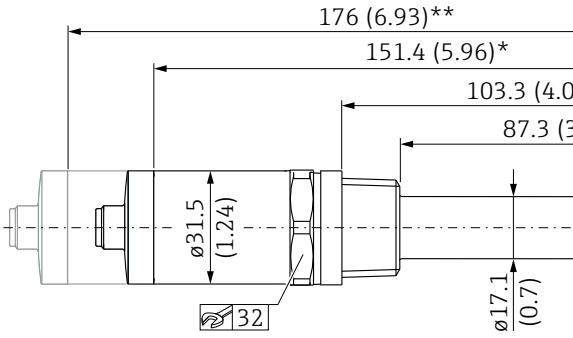
For detailed information, see "Technical Information" TI00426F (Weld-in adapters, process adapters and flanges)

Available in the Download Area of the Endress+Hauser website (www.endress.com/downloads).

Dimensions	Version	Description
<p> 7 <i>Compact version, example G ½"</i> </p> <p style="text-align: right; font-size: small;">A0021787</p>	<p>WBJ WCJ</p>	<p>Thread ISO 228 G ½" Thread ISO 228 G ¾"</p> <ul style="list-style-type: none"> ■ Material: 316L ■ Scope of delivery: flat seal (FA) ■ Pressure and temperature (maximum): +40 bar (+580 psi) at +150 °C (+302 °F) <p>W5J</p> <p>Thread ISO 228 G ¾" for flush mount installation in weld-in adapter</p> <ul style="list-style-type: none"> ■ Material: 316L ■ Scope of delivery: flat seal (FA) <p>Accessory: weld-in adapter</p> <ul style="list-style-type: none"> ■ Scope of delivery: seal (VMQ) ■ Pressure and temperature (maximum): +25 bar (+352 psi) at +150 °C (+302 °F) +40 bar (+580 psi) at +100 °C (+212 °F) <p>The dimensions apply for G ½"; G ¾" and G ¾" for flush mount installation.</p>
<p> 8 <i>Short tube version, example G ½"</i> </p> <p style="text-align: right; font-size: small;">A0021883</p>		

Dimensions	Version	Description
<p>9 Compact version</p> <p>10 Short tube version</p>	<p>WDJ</p>	<p>Thread ISO 228 G 1"</p> <ul style="list-style-type: none"> Material: 316L Scope of delivery: flat seal (FA) Pressure and temperature (maximum): +40 bar (+580 psi) at +150 °C (+302 °F)

Dimensions	Version	Description
<p>11 Compact version</p> <p>12 Short tube version</p>	<p>WSJ</p>	<p>Thread ISO 228 G 1" for flush mount installation in weld-in adapter</p> <ul style="list-style-type: none"> Material: 316L Scope of delivery: flat seal (FA) <p>Accessory: weld-in adapter</p> <ul style="list-style-type: none"> Scope of delivery: seal (VMQ) Pressure and temperature (maximum): +25 bar (+362 psi) at +150 °C (+302 °F) +40 bar (+580 psi) at +100 °C (+212 °F)

Dimensions	Version	Description
 <p data-bbox="159 616 558 649">13 Compact version, example MNPT 3/4"</p>  <p data-bbox="159 1030 558 1064">14 Short tube version, example MNPT 3/4"</p>	<p data-bbox="933 257 981 280">VAJ</p> <p data-bbox="933 302 981 324">VBJ</p> <p data-bbox="933 347 981 369">XBJ</p> <p data-bbox="933 392 981 414">XCJ</p>	<p data-bbox="1021 257 1244 280">Thread ASME MNPT 1/2"</p> <p data-bbox="1021 302 1244 324">Thread ASME MNPT 3/4"</p> <p data-bbox="1021 347 1244 369">Thread EN10226 R 1/2"</p> <p data-bbox="1021 392 1244 414">Thread EN10226 R 3/4"</p> <p data-bbox="1021 436 1388 481">Pressure and temperature (maximum): +40 bar (+580 psi) at +150 °C (+302 °F)</p> <p data-bbox="1021 504 1500 548">The dimensions apply for MNPT 1/2", MNPT 3/4"; R 1/2" and R 3/4".</p>

Dimensions	Version	Description
<p>15 Compact version, example MNPT 1"</p>	VCJ	Thread ASME MNPT 1"
	XDJ	Thread EN10226 R 1" Pressure and temperature (maximum): +40 bar (+580 psi) at +150 °C (+302 °F) The dimensions apply for MNPT 1" and R 1".
<p>16 Short tube version, example MNPT 1"</p>		

- Pay attention to the temperature and pressure specifications for seals used at the customer site.
- Endress+Hauser supplies DIN/EN process connections with threaded connection in stainless steel in accordance with AISI 316L (DIN/EN material number 1.4404 or 1.4435). In terms of their stability-temperature property, the materials 1.4404 and 1.4435 are grouped in EN 1092-1 table 18 under 13E0. The chemical composition of the two materials can be identical.

Weight	Sensor type	Weight
	Compact version with process adapter G ½" and valve plug for process temperature up to 100 °C (212 °F)	Approx. 140 g (4.938 oz)
	Short tube version with process adapter G ½" and valve plug for process temperature up to 150 °C (302 °F)	Approx. 169 g (5.961 oz)

Materials Material specifications in accordance with AISI and DIN EN.

Materials in contact with process

Component part	Material
Tuning fork	316L
Process adapter	316L (1.4404/1.4435)
Short tube	316L (1.4404/1.4435)
Seal for weld-in adapter with G ¾", G 1"	VMQ
Flat seal	FA (composite material based on aramid fibers combined with NBR)

Materials not in contact with process

Component part	Material
Housing cover with M12 plug (IP65/67)	PPSU
Housing cover with M12 plug (IP66/68/69)	316L (1.4404/1.4435)
Design ring	PBT/PC
Housing	316L (1.4404/1.4435)

Surface roughness

Metallic surface in contact with process:

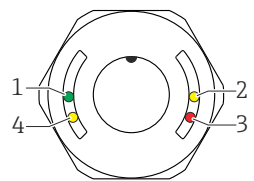
$Ra \leq 3.2 \mu\text{m}$ (126 μin)




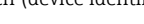
The surface is not defined in the area of the welding seam.

Operability

LED indicator



A0036944

Position	LED color	Description of function
1	green (gn)	Status/communication <ul style="list-style-type: none"> ▪ Lit: SIO mode ▪ Flashing: active communication, flash frequency  ▪ Flashing with increased luminosity: device search (device identification), flash frequency 
2	yellow (ye)1	Switch status/switch output 1 With IO-Link communication in accordance with customer calibration: sensor is covered by medium.
3	red (rd)	Warning/Maintenance required Flashing: error remediable, e.g. invalid calibration Fault/device failure Lit: see Diagnostics and troubleshooting
4	yellow (ye)2	Switch status/switch output 2 ¹⁾ With IO-Link communication in accordance with customer calibration: sensor is covered by medium.

1) Activated only if both switch outputs are active.

i On the metal housing cover (IP69), there is no external signaling via LEDs. A connecting cable with an M12 plug and LED display can be optionally ordered as an accessory. See the "Accessories" section

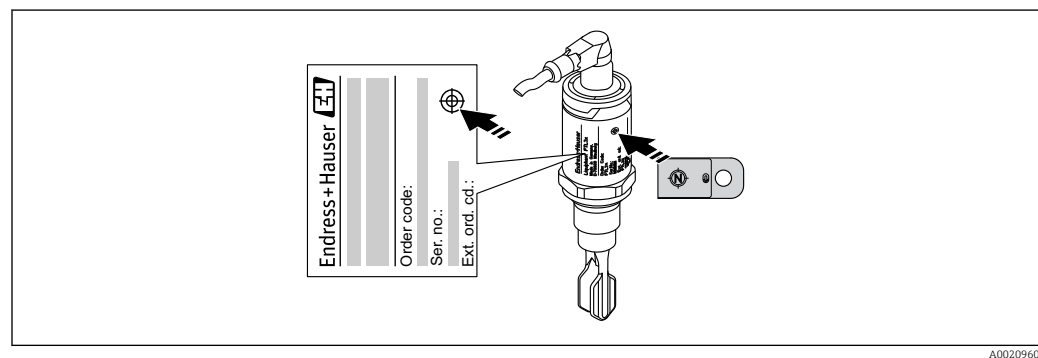
Function test with test magnet

Carry out a function test while the device is in operation.

- ▶ Hold the test magnet for at least 2 s against the marking on the housing.
 - ↳ This inverts the current switch status, and the yellow LED changes state. When the magnet is removed, the switching status valid at that time is adopted.

If the test magnet is held against the marking for longer than 30 s, the red LED will flash: The device returns automatically to the current switch status.

i The test magnet is not included in the scope of delivery. It can optionally be ordered as an accessory. See the "Accessories" -> "Additional accessories" section




17 Position for test magnet on housing

Certificates and approvals



The following documents are also available in the Download Area of the Endress+Hauser website: www.endress.com → Downloads.

CE mark	The measuring system is in conformity with the statutory requirements of the applicable EC Directives. These are listed in the corresponding EC Declaration of Conformity along with the standards applied. Endress+Hauser confirms successful testing of the device by affixing to it the CE mark.
EAC conformity	The measuring system meets the legal requirements of the applicable EAC guidelines. These are listed in the corresponding EAC Declaration of Conformity together with the standards applied. Endress+Hauser confirms successful testing of the device by affixing to it the EAC mark.
RCM-Tick marking	The supplied product or measuring system meets the ACMA (Australian Communications and Media Authority) requirements for network integrity, interoperability, performance characteristics as well as health and safety regulations. Here, especially the regulatory arrangements for electromagnetic compatibility are met. The products are labelled with the RCM- Tick marking on the name plate. <div style="text-align: center;">  </div> <p style="text-align: right; font-size: small;">A0029561</p>
Approval	CSA C/US General Purpose
CRN approval	Versions with a CRN approval (Canadian Registration Number) are listed in the corresponding registration documents. CRN-approved devices are labeled with registration number 0F16950.5C on the nameplate. For further details on the maximum pressure values, see the Download Area of the Endress+Hauser website.
Inspection certificates	The following documents can be ordered with the device (optional): <ul style="list-style-type: none"> ▪ Acceptance test certificate as per EN 10204-3.1 ▪ Final inspection report
Manufacturer declarations	The following manufacturer declarations can be ordered (optional): <ul style="list-style-type: none"> ▪ FDA conformity ▪ TSE-free, materials free from animal origin ▪ ROHS-compliant in accordance with Endress+Hauser regulation
Pressure Equipment Directive	The device does not fall within the scope of Pressure Equipment Directive 97/23/EC as it does not have a pressurized housing as defined in Article 1, Section 2.1.4 of the directive.
Other standards and guidelines	The applicable European guidelines and standards can be found in the relevant EU Declarations of Conformity.

Ordering information

Ordering information

Detailed ordering information is available from your nearest sales organization www.addresses.endress.com or in the Product Configurator under www.endress.com.



Product Configurator - the tool for individual product configuration

- Up-to-the-minute configuration data
- Depending on the device: Direct input of measuring point-specific information such as measuring range or operating language
- Automatic verification of exclusion criteria
- Automatic creation of the order code and its breakdown in PDF or Excel output format
- Ability to order directly in the Endress+Hauser Online Shop

Services (optional)

In addition, the following services can be selected via the product structure in the Product Configurator:

- Cleaned of oil+grease
- PWIS-free (PWIS = paint-wetting impairment substances)
- Density setting > 0.5 g/cm³
- Switching delay setting

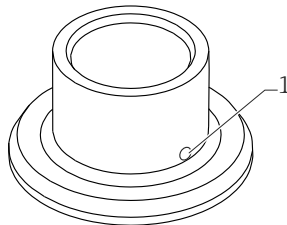
Accessories

Weld-in adapter

Various weld-in adapters are available for installation in vessels or pipes.



The adapters are optionally available with inspection certificate 3.1 EN10204.

View (example)	Description
 <p style="text-align: right; margin-right: 50px;">A0023557</p> <p>1 Leakage hole</p>	G 3/4" ø29 pipe installation ø50 vessel installation FDA-listed materials as per 21 CFR Part 175-178
	G 1" ø53 pipe installation ø60 vessel installation

If installed horizontally and weld-in adapters with a leakage hole are used, ensure that the leakage hole is pointing down. This allows leaks to be detected as quickly as possible.



For detailed information, see "Technical Information" TI00426F (Weld-in adapters, process adapters and flanges)

Available in the Download Area of the Endress+Hauser website (www.endress.com/downloads).

Plug-in jack, cable



The plug-in jacks listed are suitable for use in the temperature range -25 to +70 °C (-13 to +158 °F).

Engineering unit mm (in)

Plug-in jack M12 IP69 with LED	Description	Order number
	<ul style="list-style-type: none"> Elbowed 90° Terminated at one end 5 m (16 ft) PVC cable (orange) Slotted nut 316L Body: PVC (transparent) 	52018763

Plug-in jack M12 IP67	Description	Order number
	<ul style="list-style-type: none"> Elbowed 90° 5 m (16 ft) PVC cable (gray) Slotted nut Cu Sn/Ni Body: PUR (black) 	52010285

Wire colors for M12 plug: 1 = BN (brown), 2 = WT (white), 3 = BU (blue), 4 = BK (black)

Plug-in jack M12 IP67	Description	Order number
	<ul style="list-style-type: none"> Self-terminated connection to M12 plug Slotted nut Cu Sn/Ni Body: PBT 	52006263

Additional accessories

Socket wrench for mounting	Description	Order number
	<ul style="list-style-type: none"> Hexagonal Size across flats AF32 	52010156

Test magnet	Description	Order number
	Information in "Operation" section	71267011

Supplementary documentation



For an overview of the scope of the associated Technical Documentation, refer to the following:

- *W@M Device Viewer* (www.endress.com/deviceviewer): Enter the serial number from nameplate
- *Endress+Hauser Operations App*: Enter the serial number from the nameplate or scan the 2D matrix code (QR code) on the nameplate

Operating Instructions
Liquiphant FTL31



BA01285F

Operating Instructions
Liquiphant FTL31 IO-Link



BA01935F

Additional documentation

Weld-in adapter, process adapter and flanges (overview)



TI00426F

Weld-in adapter (installation instructions)



SD01622Z

Valve plug (installation instructions)



SD00356F

Certificates

Overfill protection



ZE01010F

Leak



ZE01011F



71516061

www.addresses.endress.com
