

Technical Information

Oxymax COS61D/COS61

Optical sensor for measuring dissolved oxygen



Digital optical sensor based on the principle of fluorescence quenching, with or without Memosens protocol

Application

- Wastewater treatment plants
 - Oxygen measurement and regulation in the activated sludge basin for a highly efficient biological cleaning process
 - Monitoring the oxygen content in the wastewater treatment plant outlet
- Water monitoring
Oxygen measurement in rivers, lakes or seas as an indicator of the water quality
- Water treatment
Oxygen measurement for status monitoring, e.g. of drinking water (oxygen enrichment, corrosion protection etc.)
- Fish farming
Oxygen measurement and regulation for optimum living and growth conditions

Your benefits

- Optical technology:
 - Minimum maintenance
 - Maximum availability
- Sensor with digital signal processing:
 - Calibration data saved in sensor
 - High degree of EMC protection thanks to digital communication with the transmitter
- Extended maintenance intervals and a high degree of longterm stability
- Intelligent self-monitoring guarantees reliable measured values
- No flow needed - measurement possible in still water
- COS61D - the Liquiline sensor
 - Plug&Play: Safe communication based on Memosens protocol
 - Optionally with M12 plug for fast connection to the transmitter
- COS61 - the Liquisys sensor
 - Compatible with tried-and-tested COS31 with COM2x3W: Easy measuring point changeover to optical technology
 - Compatible with COS41 with COM2x3D with conversion kit

Function and system design

Measuring principle

Sensor structure

Oxygen-sensitive molecules (markers) are integrated into the optically active layer (fluorescence layer).

The fluorescence layer, an optical insulating layer and a cover layer are applied on top of one another on the carrier. The cover layer is in direct contact with the medium.

The sensor optics are directed at the rear of the carrier and therefore at the fluorescence layer.

Measurement process (principle of quenching)

If the sensor is immersed in the medium, an equilibrium is very quickly established between the oxygen partial pressure in both the medium and the fluorescence layer.

1. The sensor optics send green light pulses to the fluorescence layer.
2. The markers "respond" (fluoresce) with red light pulses.
 - ↳ The duration and intensity of the response signals are directly dependent on the oxygen contents and oxygen partial pressure.

If the medium is free from oxygen, the response signals are long and very intense.

Any oxygen molecules present mask the marker molecules. As a result, the response signals are shorter and less intense.


Measurement result

- ▶ The sensor returns a signal that depends on the concentration of oxygen in the medium.

The air pressure can be either set statically or entered via an additional sensor. The medium temperature is automatically recorded in the sensor. Both values are taken into consideration in the calculation of the oxygen concentration.

The sensor provides measured values for temperature and partial pressure as well as a raw measured value. This value corresponds to the fluorescence decay time and is approx. 20 μ s in air and approx. 60 μ s in oxygen-free media.

For optimum measurement results

1. During calibration, enter the current air pressure at the transmitter.
 2. If the measurement is not performed at **Air 100% rh**:
Enter the current humidity.
 3. In the case of saline media:
Enter the salinity.
 4. For measurements in the units %Vol or %SAT:
Also enter the current operating pressure in the measuring mode.
- 
 - Operating Instructions for Memosens, BA01245C
For all transmitters, analyzers and samplers in the Liquiline CM44x/P/R, Liquiline System CA80XX and Liquistation CSFxx product families
 - Operating Instructions for Lquisys COM2x3, BA00199C

Measuring system

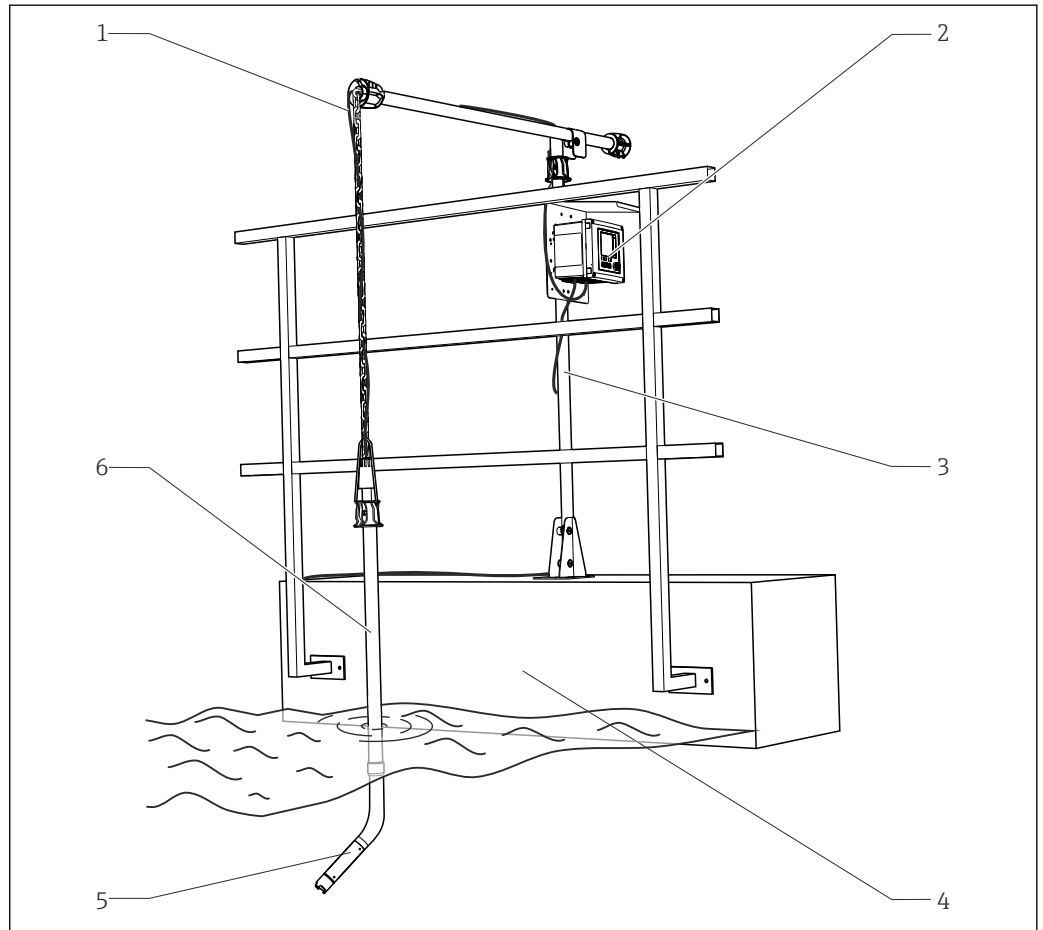
COS61D

A complete measuring system consists of the following components at least:

- Oxymax COS61D oxygen sensor
with fixed cable (with ferrules or M12 plug depending on the version ordered)
- Liquiline CM44x multi-channel transmitter
- Assembly, e.g. flow assembly COA250, immersion assembly CYA112 or retractable assembly COA451

Optionally:

- Flexdip CYH112 assembly holder for immersion operation
- Extension cable CYK11 with junction box
- Cleaning system



A0042837

1 Example of a measuring system with COS61D

- | | | | |
|---|-----------------------------|---|-----------------------------|
| 1 | Sensor cable | 4 | Basin rim with railing |
| 2 | Transmitter Liquiline CM44x | 5 | Oxymax COS61D oxygen sensor |
| 3 | Assembly Flexdip CYH112 | 6 | Flexdip CYA112 assembly |

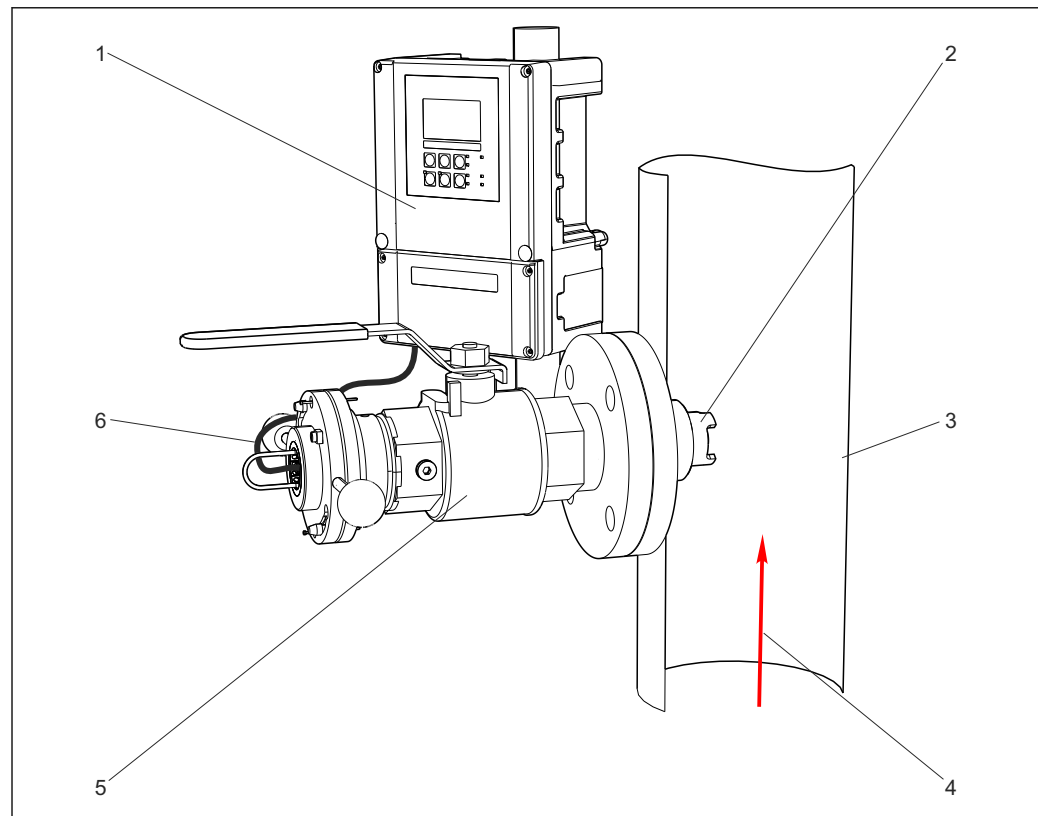
COS61

A complete measuring system comprises:

- Oxymax COS61 oxygen sensor
- Transmitter, e.g. Liquisys COM2x3-W
- Sensor cable
- Assembly, e.g. flow assembly COA250, immersion assembly CYA112 or retractable assembly COA451

Optionally:

- Flexdip CYH112 assembly holder for immersion operation
- VS junction box (for cable extension)
- Cleaning system



2 Example of a measuring system with COS61

1 Liquisys COM253

2 Oxymax COS61

3 Pipe (ascending pipe)

4 Direction of medium flow

5 Cleanfit COA451

6 Sensor cable

Input

Measured variables

Dissolved oxygen [mg/l, µg/l, ppm, ppb or %SAT or hPa]

Measuring ranges

Measuring ranges apply for 20 °C (68 °F) and 1013 hPa (15 psi)

With Liquiline CM44x, CM44xR, CM44P or with Liquisys COM2x3-W:

- 0 to 20 mg/l
- 0 to 400 hPa
- 0 to 200 % SAT

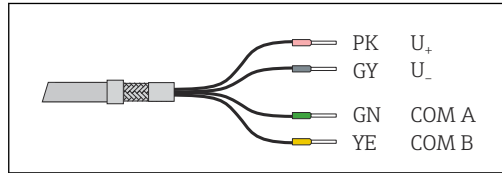
Power supply

Electrical connection

COS61D

Connection data

Sensor cable connected directly to the terminal connector of the basic module of the transmitter



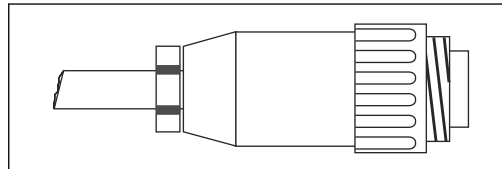
3 Sensor fixed cable with terminated cable cores

Optional: sensor cable plug connected to the M12 sensor socket of the transmitter

With this type of connection, the transmitter is already wired at the factory.

Connection to field device

The sensor is directly connected to the transmitter via the special measuring cable with the SXP plug.



4 SXP connector

Connection to cabinet device

Terminal COM223	Sensor with fixed cable (OMK)		Sensor with TOP68 plug connection (CYK71)	
	Core	Assignment	Core	Assignment
87	YE	+U _B	YE	+U _B
0	GN	0 V	WH	0 V
96	PK	Communication (digital)	GN	Communication (digital)
97	BU	Communication (digital)	BN	Communication (digital)
88	BN	-U _B	Coax, inside	-U _B

1. Remove the SXP connector (transmitter side!) from the cable.
2. Refer to the table for the cable assignment and terminals of Lquisys COM223-WX/WS.
 - ↳ Please note that the cable assignment varies depending on the sensor version (fixed cable or TOP68 plug connection).

Performance characteristics

Response time

From air to nitrogen at reference operating conditions:

t₉₀ : 60 s

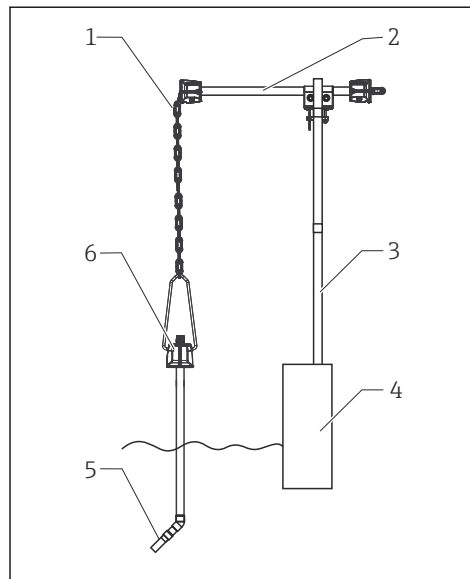
Maximum measured error ¹⁾	COS61D	Measuring range	Maximum measured error
		< 12 mg/l 12 mg/l to 20 mg/l	0.01 mg/l or ±1 % of reading ±2% of reading
	COS61	Measuring range	Maximum measured error
		< 12 mg/l 12 mg/l to 20 mg/l	0.02 mg/l or ±1 % of reading ±2% of reading
Repeatability	±0.5 % of end of measuring range		
Operating life of sensor cap	>2 years (under reference operating conditions, protect against direct sunlight)		

Installation

Installation examples

Immersion operation

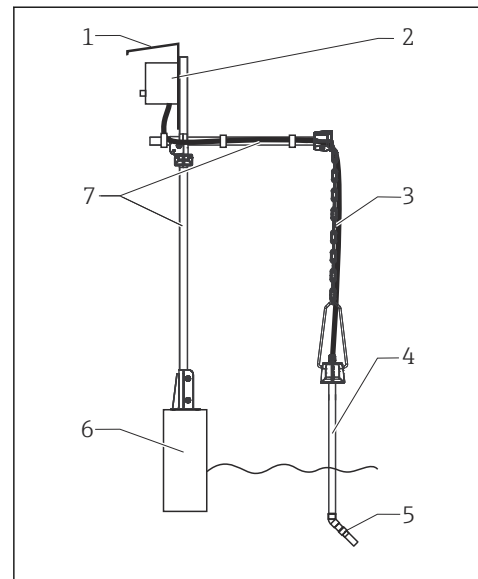
Universal holder and chain assembly



A0042857

5 Chain holder on railing

- 1 Chain
- 2 Holder Flexdip CYH112
- 3 Rail
- 4 Basin rim
- 5 Oxygen sensor
- 6 Wastewater assembly Flexdip CYA112



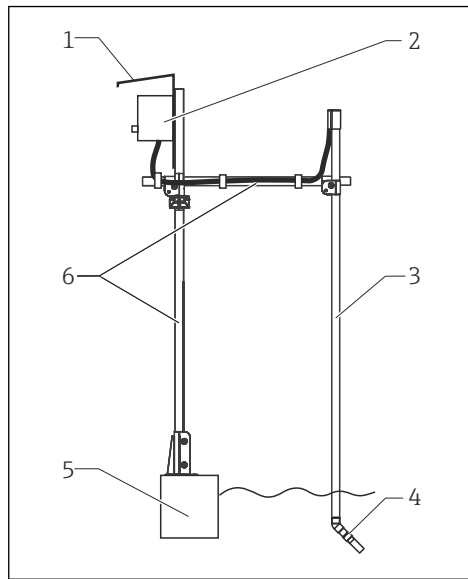
A0042858

6 Chain holder on upright post

- 1 Weather protection cover CYY101
- 2 Transmitter
- 3 Chain
- 4 Wastewater assembly Flexdip CYA112
- 5 Oxygen sensor
- 6 Basin rim
- 7 Holder Flexdip CYH112

1) In accordance with IEC 60746-1 at rated operating conditions

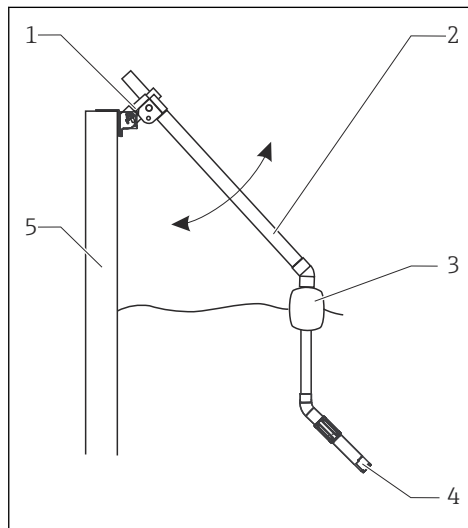
Universal holder and fixed immersion tube



7 Assembly holder with immersion tube

- 1 Protective cover
- 2 Transmitter
- 3 Flexdip CYA112 immersion assembly
- 4 Oxygen sensor
- 5 Basin rim
- 6 Assembly holder Flexdip CYH112

Basin rim mounting with immersion tube

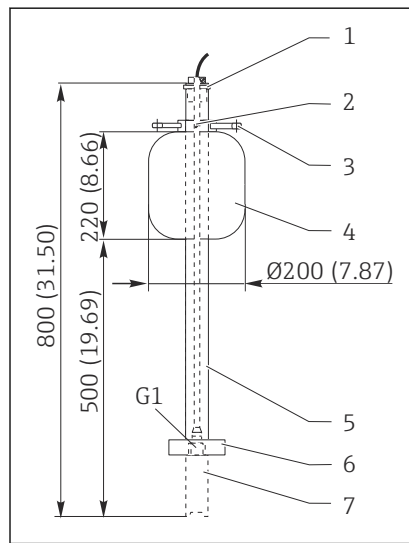


8 Basin rim mounting

- 1 Pendulum holder CYH112
- 2 Assembly Flexdip CYA112
- 3 Assembly float
- 4 Oxygen sensor
- 5 Basin rim

Float

The CYA112 float is for use in the case of large fluctuations in water level, for example in rivers or lakes.

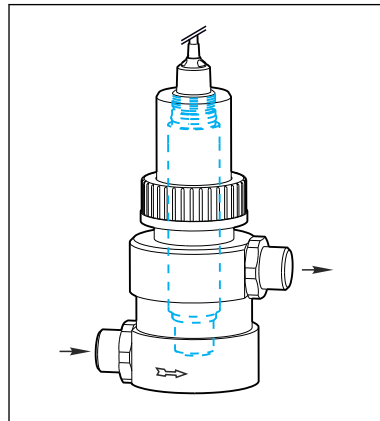


- 1 Cable run with strain relief and rain shield
- 2 Fixing ring for rope and chains with terminal screw
- 3 Eyelets Ø15, 3 x 120 ° for anchoring
- 4 Plastic float, resistant to salt water
- 5 Pipe 40 x 1, stainless steel 1.4571
- 6 Bumper and ballast
- 7 Oxygen sensor

A0032159

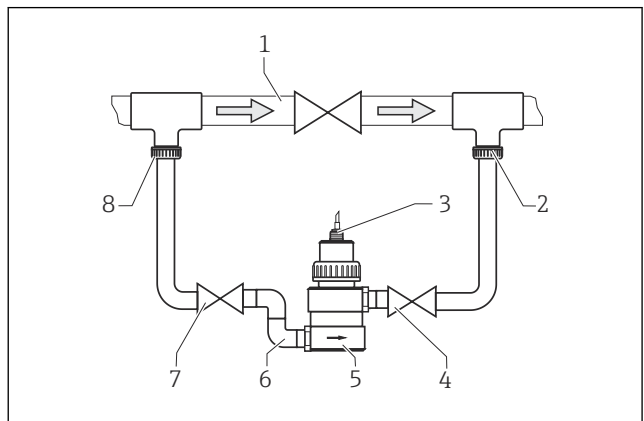
9 Dimensions in mm (inch)

Flow assembly COA250



A0013319

10 COA250



A0030570

11 Bypass installation with manually actuated valves or solenoid valves

- 1 Main pipe
- 2 Medium return
- 3 Oxygen sensor
- 4, 7 Manually actuated or solenoid valves
- 5 Flow assembly COA250-A
- 6 90 ° pipe elbow
- 8 Medium removal

Environment

Ambient temperature	-20 to 60 °C (-4 to 140 °F) at 95% relative air humidity, non-condensing
Storage temperature	-20 to 70 °C (-4 to 158 °F) at 95% relative air humidity, not condensating

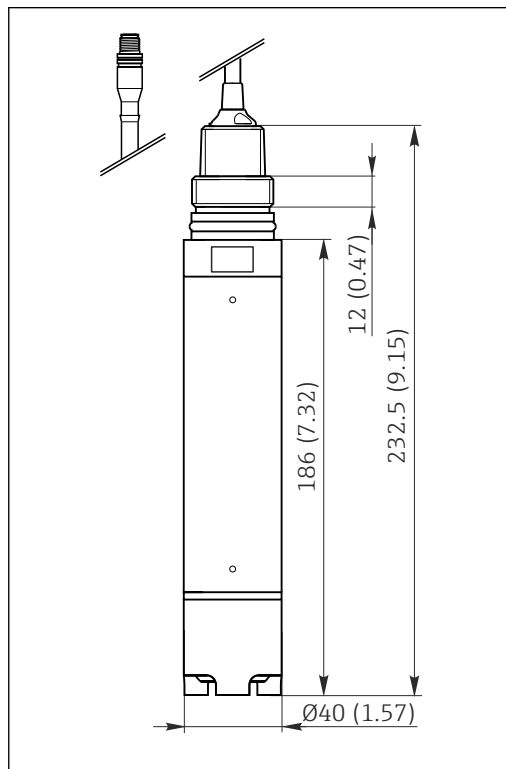
Degree of protection	COS61D IP 68 (test conditions: 10 m (33 ft) water column, at 25 °C (77 °F) over 30 days)
	COS61 <ul style="list-style-type: none"> ■ Fixed cable versions: IP 68 (test conditions: 10 m (33 ft) water column at 25 °C (77 °F) over 30 days) ■ Top68 plug-in head versions: IP 68 (test conditions: 1 m (3.3 ft) water column at 50 °C (122 °F) over 7 days)
Electromagnetic compatibility	COS61D Interference emission and interference immunity as per EN 61326: 2005, Namur NE 21:2007
	COS61 Interference emission and interference immunity as per EN 61326: 1997 / A1: 1998

Process

Process temperature	-5 to +60 °C (20 to 140 °F)
Process pressure	Ambient pressure 1 to 10 bar (14.5 to 145 psi) abs.

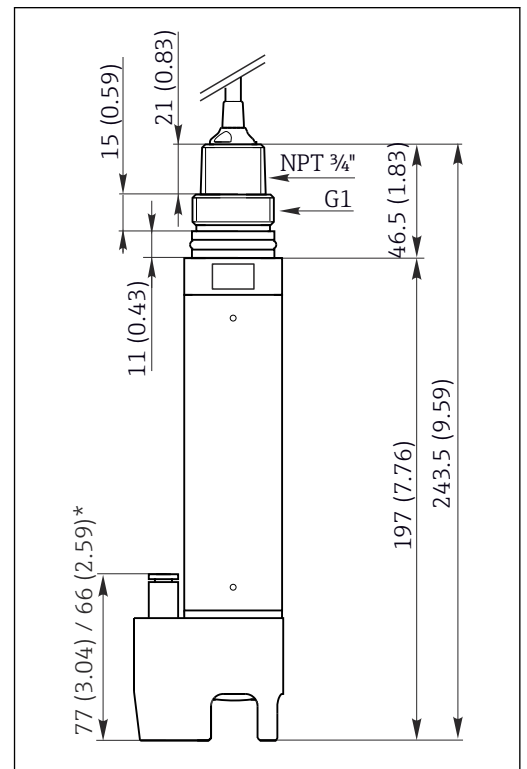
Mechanical construction

Design, dimensions COS61D



12 With optional M12 connector

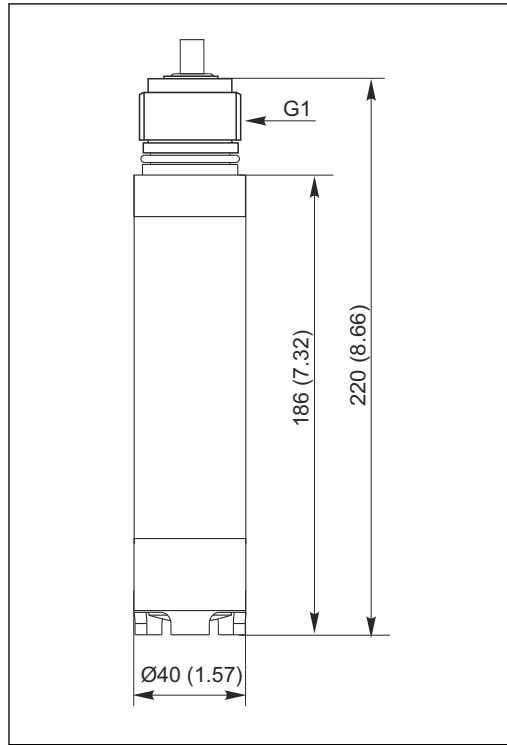
Dimensions in mm (inch)



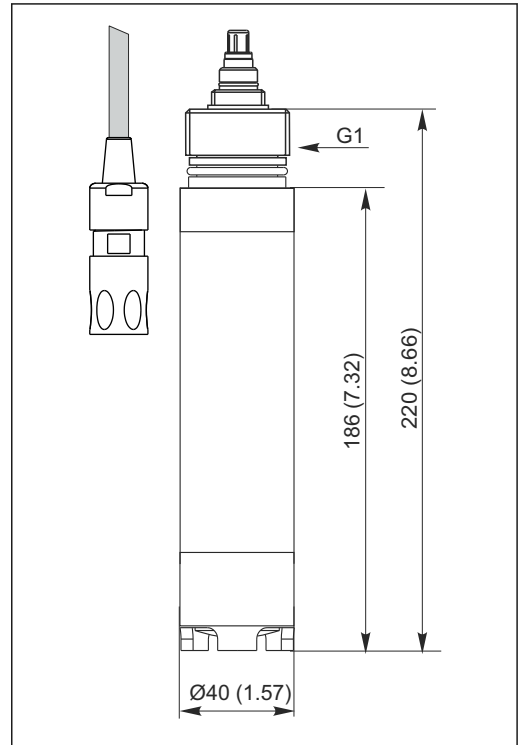
13 With optional cleaning unit

* depending on version of cleaning unit

design, dimensions COS61



A0027092

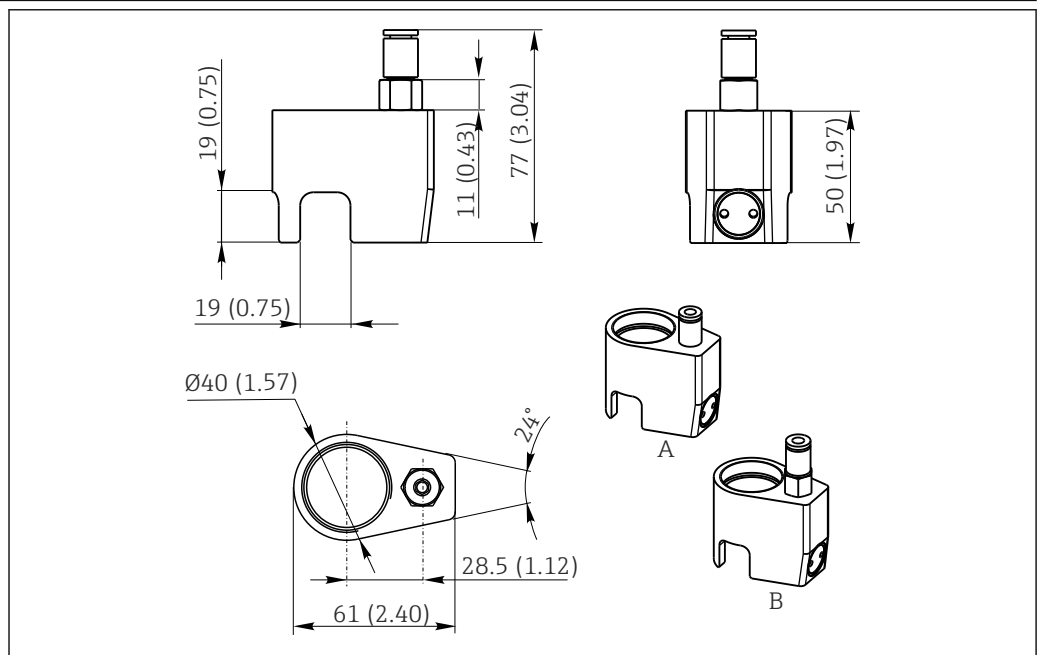


A0027093

14 Version with fixed cable
Dimensions in mm (inch)

15 Version with TOP68 - plug-in head

Optional cleaning unit



A0049286

16 Dimensions in mm (inch)

A Compressed air cleaning COS61/61D OD 6/8 mm (additional information → 14

B Compressed air cleaning COS61/61D OD 6.35 mm (¼") (additional information → 14

Weight

with cable length 7 m (23 ft):	0.7 kg (1.5 lbs)
with cable length 15 m (49 ft):	1.1 kg (2.4 lbs)
with TOP68 plug connection:	0.3 kg (0.66 lbs) depending on version

Materials

Parts in contact with medium

Sensor cap	PVC / POM
------------	-----------

Fluorescence layer	Silicone
Orifice plate	PET
O-rings	EPDM
Pin holder	1.4404
Shaft tube	1.4571
Housing connection	POM
Protection guard	POM
Housing air purge unit	POM

Process connection

COS61D
G1, NPT 3/4"

COS61
G1

Sensor cable

COS61D
Shielded 4-core fixed cable

COS61
Shielded 7-wire fixed cable or double-shielded coaxial cable with 4 pilot wires (with TOP68 plug connection)

Cable connection at transmitter

COS61D

- Terminal connection, end ferrules
- Optional: M12 connector

COS61

- SXP connector (field device)
- Terminal connection (panel-mounted instrument)

Maximum cable length max. 100 m (330 ft), incl. Cable extension

Temperature compensation Internal

Interface	COS61D Memosens protocol COS61 RS 485
------------------	--

Certificates and approvals

A list of all the approvals is provided below. The approvals that are valid for this product depend on the device version ordered.

CE mark	Declaration of Conformity The product meets the requirements of the harmonized European standards. As such, it complies with the legal specifications of the EU directives. The manufacturer confirms successful testing of the product by affixing to it the CE mark.
EAC (COS61D-GR)	The product has been certified according to guidelines TP TC 004/2011 and TP TC 020/2011 which apply in the European Economic Area (EEA). The EAC conformity mark is affixed to the product.
CSA GP (COS61D-CA)	Dieses Gerät hat eine CSA GP Zulassung und erfüllt die folgenden Anforderungen: <ul style="list-style-type: none"> ▪ Versorgung durch eine Klasse 2 oder begrenzte Energiequelle gemäß CSA 61010-1-12. ▪ Überspannungskategorie I. ▪ Umgebungsbedingungen: max. Höhenlage 2 000 m (6 560 ft)
CSAus NI Cl 1, Div 2 (COS61D-CJ)	Explosionsgefährdete Bereiche nach CSAus CL 1, DIV 2 ²⁾ <ul style="list-style-type: none"> ▪ Das Gerät muss in einem Gehäuse oder (Montage-)Schrank installiert werden, der nur mit einem Werkzeug oder Schlüssel zugänglich ist. ▪ Beachten Sie die Control Drawing und die angegebenen Einsatzbedingungen im Anhang der Betriebsanleitung sowie die dortigen Hinweise. Ex-Zulassungen Class 1, Division 2, Groups A, B, C und D T6; IP67/IP68 ²⁾ Dieses Produkt erfüllt die Anforderungen der folgenden Normen: <ul style="list-style-type: none"> ▪ ANSI/UL 61010-1, 3. Ed. ▪ ANSI/UL 121201-2017 ▪ ANSI/IEC 60529, Edition 2.2. 2013-08 Degrees of protection provided by enclosures (IP Code) Installation und Betrieb in explosionsgefährdeten Bereichen CL 1, DIV 2 Dieses nicht-funkende Gerät hat folgende spezifizierte Explosionsschutz-Daten: <ul style="list-style-type: none"> ▪ CSAus CL 1, DIV 2 ▪ Groups A, B, C, and D ▪ Temperaturklasse T6, $-20\text{ °C } (-4\text{ °F}) \leq T_a \leq 60\text{ °C } (140\text{ °F})$ ▪ IP-Schutzart: IP67/IP68 ▪ Control drawing: 211050778


Ordering information

Product page	www.endress.com/cos61 www.endress.com/cos61d
---------------------	--

Product Configurator	On the product page there is a Configure button to the right of the product image. <ol style="list-style-type: none"> 1. Click this button. <ul style="list-style-type: none"> ↳ The Configurator opens in a separate window.
-----------------------------	---

2) Nur bei Anschluss an CM44x(R)-CD*

2. Select all the options to configure the device in line with your requirements.
 - ↳ In this way, you receive a valid and complete order code for the device.
3. Export the order code as a PDF or Excel file. To do so, click the appropriate button on the right above the selection window.

 For many products you also have the option of downloading CAD or 2D drawings of the selected product version. Click the **CAD** tab for this and select the desired file type using picklists.

Scope of delivery

Scope of delivery of sensor

- Oxygen sensor with protection cap or mounted cleaning system (optional)
- Brief Operating Instructions

Accessories

The following are the most important accessories available at the time this documentation was issued.

- ▶ For accessories not listed here, please contact your Service or Sales Center.

Assemblies (selection)


Flexdip CYA112

- Immersion assembly for water and wastewater
- Modular assembly system for sensors in open basins, channels and tanks
- Material: PVC or stainless steel
- Product Configurator on the product page: www.endress.com/cya112

 Technical Information TI00432C

Flowfit COA250

- Flow assembly for oxygen measurement
- Product Configurator on the product page: www.endress.com/coa250

 Technical Information TI00111C

Cleanfit COA451

- Manual retractable assembly made of stainless steel with ball valve shutoff
- For oxygen sensors
- Product Configurator on the product page: www.endress.com/coa451

 Technical Information TI00368C

Assembly holder

Flexdip CYH112

- Modular holder system for sensors and assemblies in open basins, channels and tanks
- For Flexdip CYA112 water and wastewater assemblies
- Can be affixed anywhere: on the ground, on the capstone, on the wall or directly onto railings.
- Plastic or stainless steel version
- Product Configurator on the product page: www.endress.com/cyh112




 Technical Information TI00430C

Measuring cable

Memosens data cable CYK11

- Extension cable for digital sensors with Memosens protocol
- Product Configurator on the product page: www.endress.com/cyk11

 Technical Information TI00118C

Zero-point gel	<p>COY8 Zero-point gel for oxygen and disinfection sensors</p> <ul style="list-style-type: none"> ▪ Oxygen-free and chlorine-free gel for the verification, zero point calibration and adjustment of oxygen and disinfection measuring points ▪ Product Configurator on the product page: www.endress.com/coy8 <p> Technical Information TI01244C</p>
Junction box VS COS61	<p>VS</p> <ul style="list-style-type: none"> ▪ Junction box for cable extension of COS61 sensor with SXP plug-in connector ▪ With socket and 7-pin connector ▪ Degree of protection: IP 65 ▪ Order number: 50001054
Junction box RM COS61D	<p>RM</p> <ul style="list-style-type: none"> ▪ Junction box for cable extension of COS61D sensor with Memosens plug-in connector ▪ With 2x PG 13.5 cable gland ▪ Degree of protection: IP 65 ▪ Order number: 51500832
Protection guard	<p>Membrane protection guard</p> <ul style="list-style-type: none"> ▪ For using the sensor in fish farming tanks ▪ Order No.: 50081787
Cleaning unit	<p>Compressed air cleaning for COSXX</p> <ul style="list-style-type: none"> ▪ Connection: OD 6/8 mm (incl. reduction hose coupling) or OD 6.35 mm (¼") ▪ Materials: POM/V4A ▪ Order No. <ul style="list-style-type: none"> ▪ AD 6/8 mm: 71110801 ▪ AD 6.35 mm (¼"): 71110802 <p>Compressor</p> <ul style="list-style-type: none"> ▪ For compressed air cleaning ▪ Order No. <ul style="list-style-type: none"> ▪ 230 V AC order no. 71072583 ▪ 115 V AC order no. 71194623 <p>Spray cleaning for CYA112 assembly Order No.</p> <ul style="list-style-type: none"> ▪ Assembly length 600 mm (23.62 in): 71158245 ▪ Assembly length 1200 mm (47.42 in): 71158246 <p>Chemoclean CYR10B</p> <ul style="list-style-type: none"> ▪ Cleaning injector for spray cleaning and retractable assemblies ▪ Product Configurator on the product page: www.endress.com/CYR10B <p> Technical Information TI01531C</p>
Transmitter	<p>Liquiline CM44</p> <ul style="list-style-type: none"> ▪ Modular multi-channel transmitter for hazardous and non-hazardous areas ▪ Hart®, PROFIBUS, Modbus or EtherNet/IP possible ▪ Order according to product structure <p> Technical Information TI00444C</p>
Calibration vessel COS61	<p>Calibration vessel</p> <ul style="list-style-type: none"> ▪ For COS61D/61 ▪ Order No.: 51518599





71517960

www.addresses.endress.com
